

# LEO 15 GT

## Technical data \*

Aerial work platform

**TEUPEN**® *hyLIFT*®



**Leo 15 GT**

Working height:	14,90 m
Platform height:	12,90 m
Lateral outreach:	6,40 m
Safe load on cage:	max. 200 kg
Range of rotation:	355°
Size of working cage (LxWxH):	1,2 x 0,7 x 1,1 m
Length in travelling position with the cage:	min. 4710 mm
Length in travelling position without the cage:	min. 3995 mm
Width in travelling position without the cage:	min. 780 mm
Height in travelling position:	max. 1995 mm
Total weight:	1850 kg
Loading possibility:	2,65 m x 3,65
Ground load in loading position	approx. 2,08 kN/m <sup>2</sup>
Surface load (caterpillar-track) in standard work position:	approx. 4,75 N/cm <sup>2</sup>
Power line:	inside the profile
Drive:	Honda engine 13 PS
Adjustable width of caterpillar-track:	780-980 mm

### Options:

Ground control with a 3 m long cable

Additional drive: 230 V AC engine  
2,2 KW

Overweight:29 kg

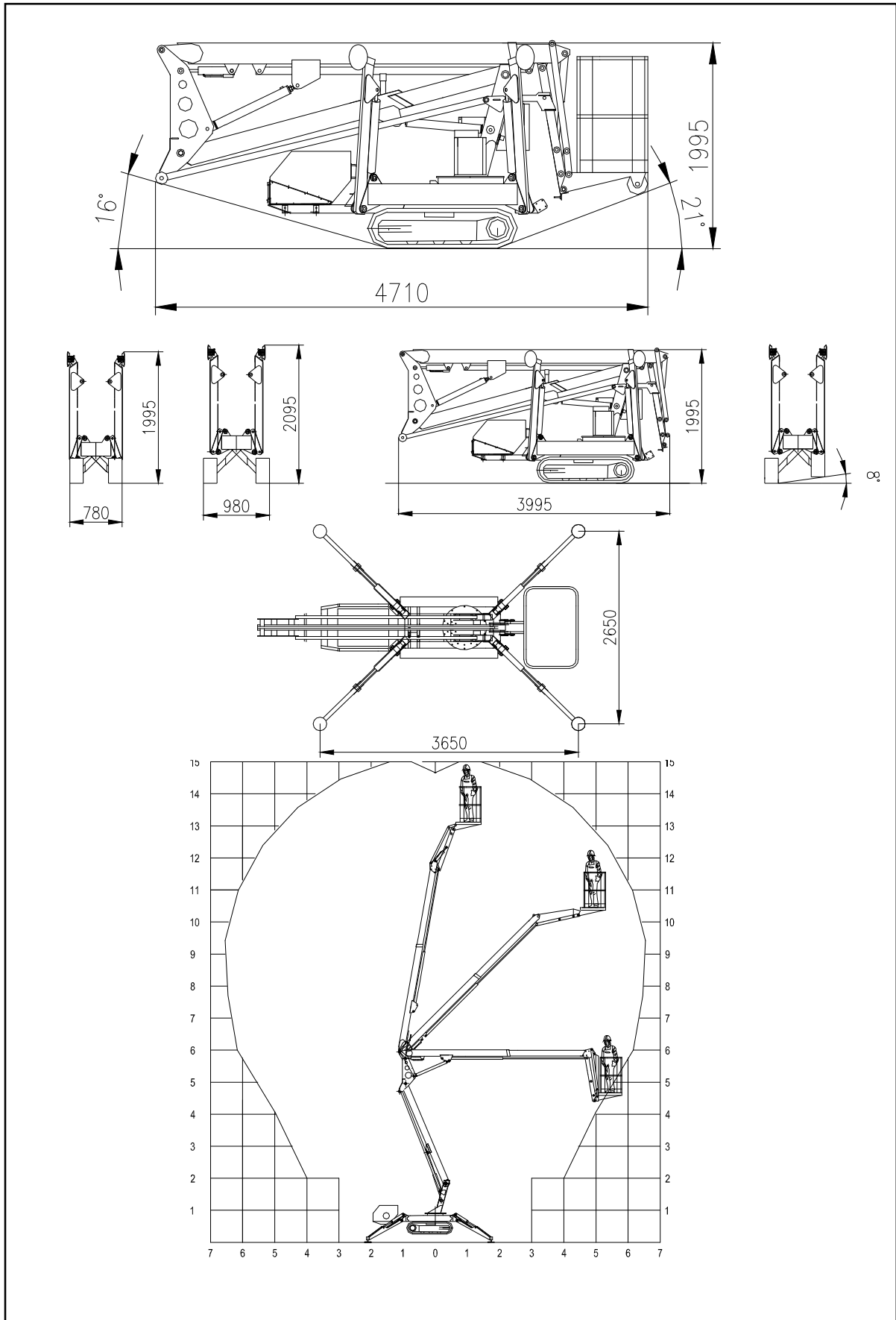
**Additional drive: Kubota-Diesel  
Z-482 13,5 PS**

Overweight:32 kg

\*Technical data with standard equipment!

Alteration in construction reserved!

State: 29. 11. 2004



**TEUPEN Maschinenbaugesellschaft mbH**

Hausanschrift: Marie-Curie-Strasse 13 - D 48599 Gronau – Telefon 02562 / 8161-0 – Telefax 02562 / 8161-888  
 Postanschrift: Postfach 1951 – D 48580 Gronau Internet: <http://www.teupen.de> – email: [info@teupen.de](mailto:info@teupen.de)